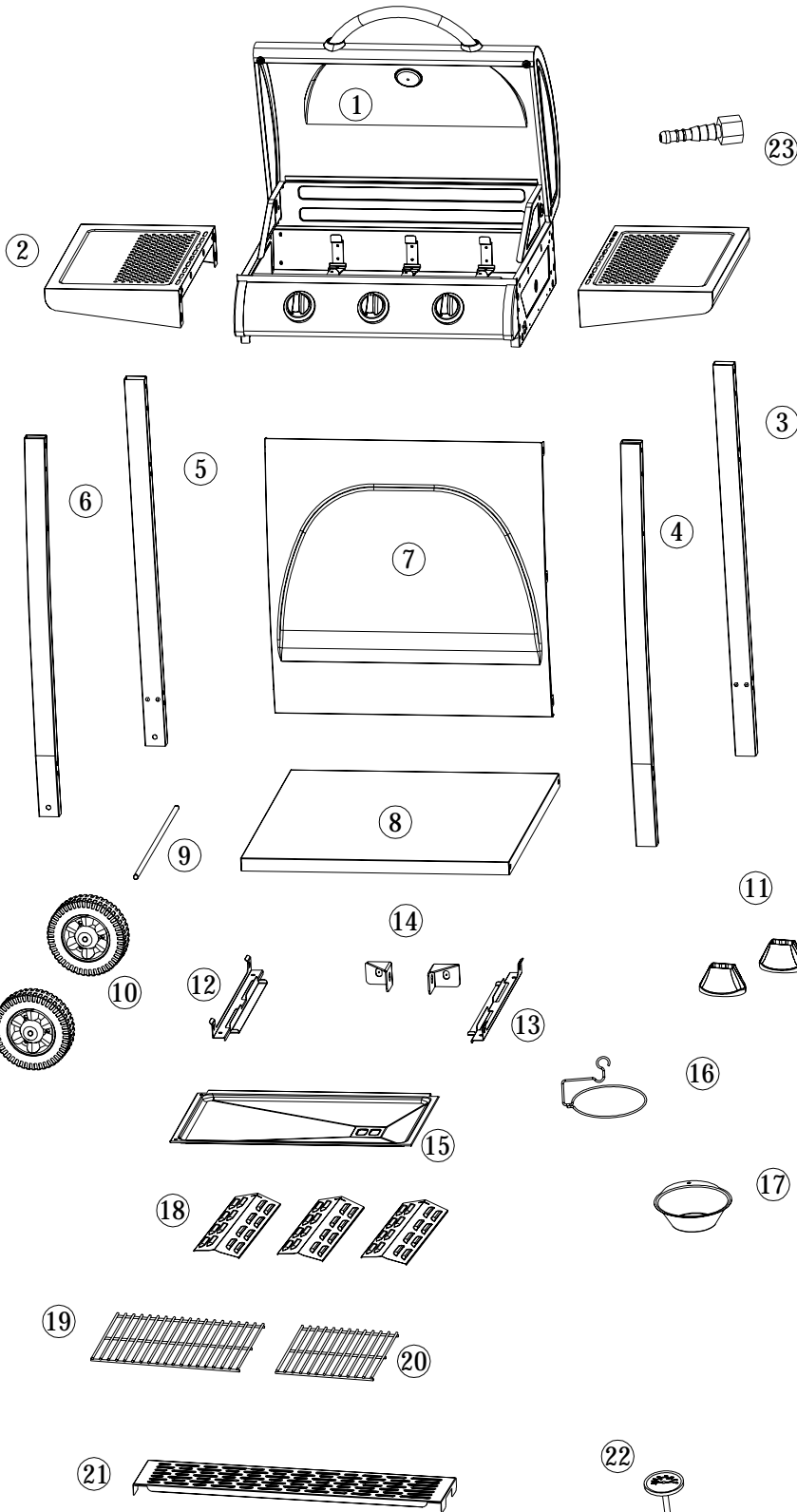
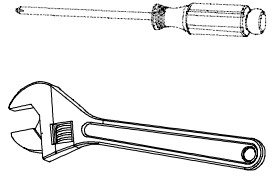
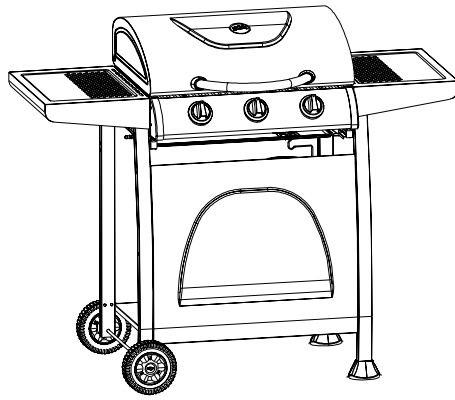
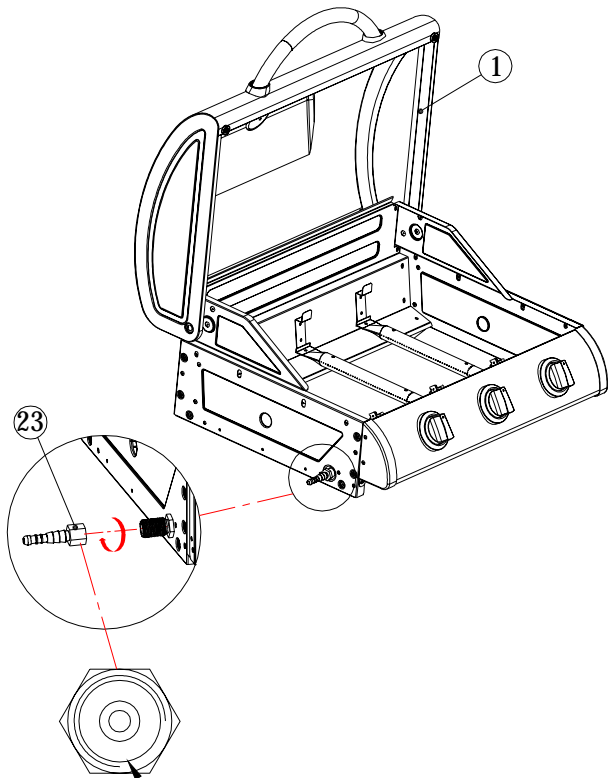


E10C10C33



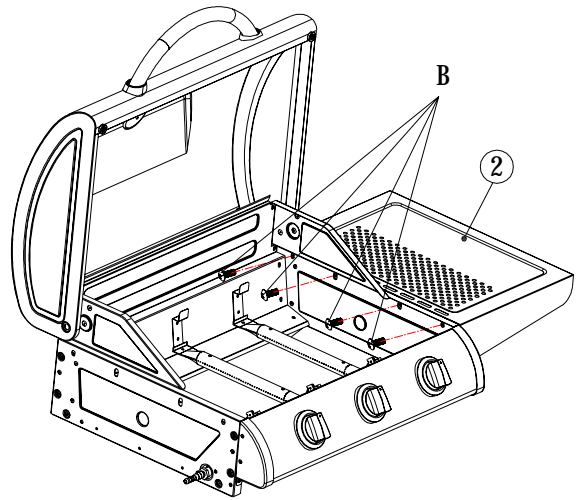
① *1	② *2	③ *1 (RB)
④ *1 (RF)	⑤ *1 (LB)	⑥ *1 (LF)
⑦ *1	⑧ *1	⑨ *1
⑩ *2	⑪ *2	⑫ *1 (L)
⑬ *1 (R)	⑭ *2	⑮ *1
⑯ *1	⑰ *1	⑱ *3
⑲ *1	⑳ *1	㉑ *1
㉒ *1	㉓ *1	
A M5-55*10	B M5-10*12	C M5*4
D *2	E *2	F M5-16*6

1

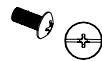


Caution: An NBR sealing washer must be inside!
 Otherwise, there may be danger of gas leakage!

2

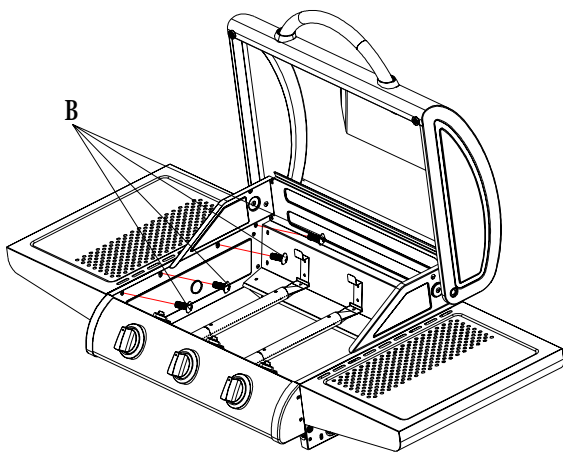


B



4PCS

3

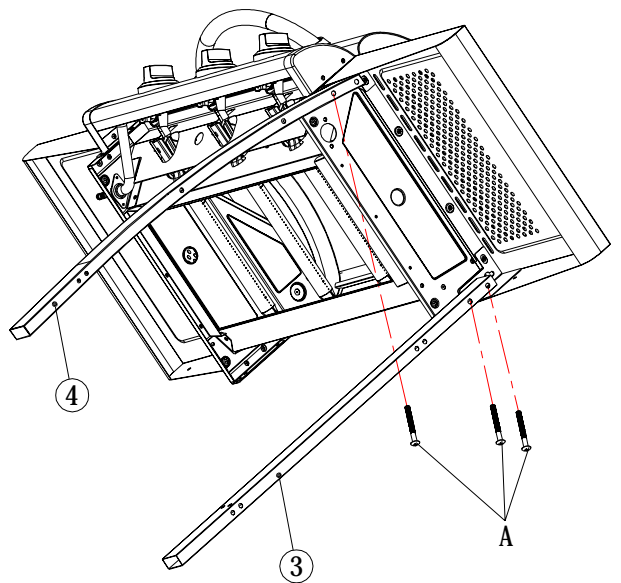


B



4PCS

4

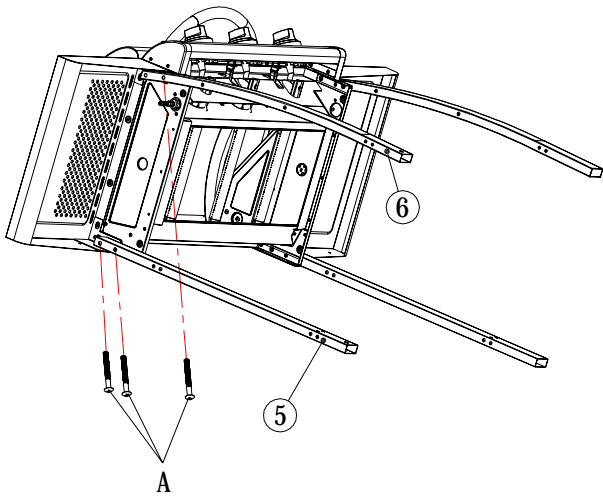



A



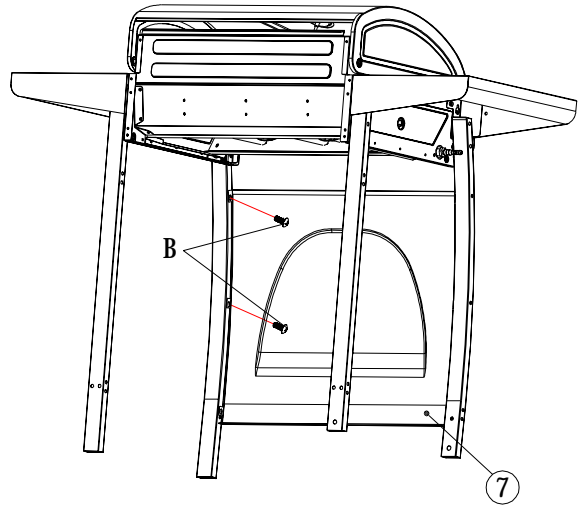
3PCS


5



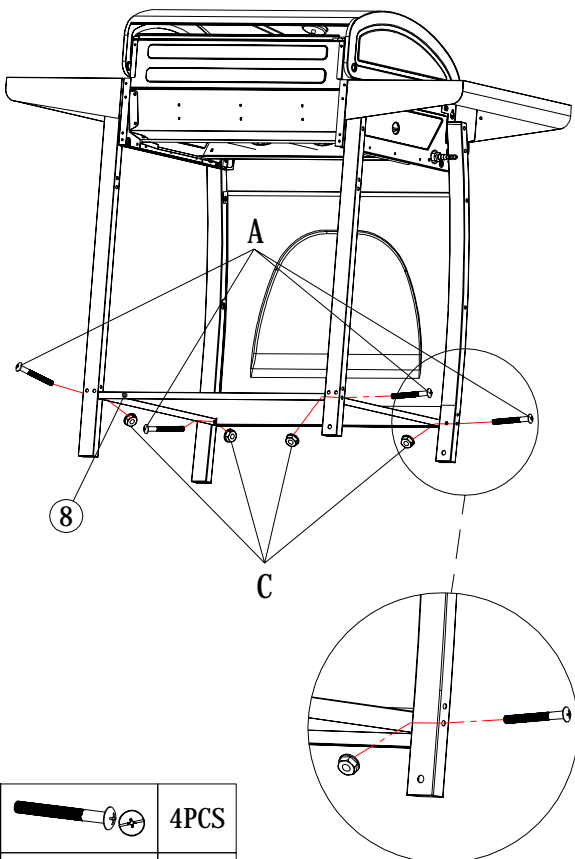
A		3PCS
---	---	------

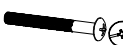

6



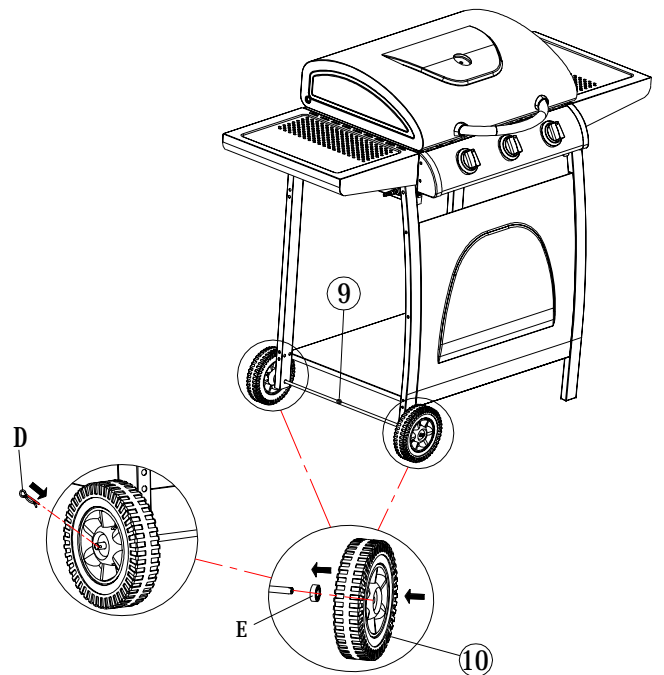
B		4PCS
---	--	------



7



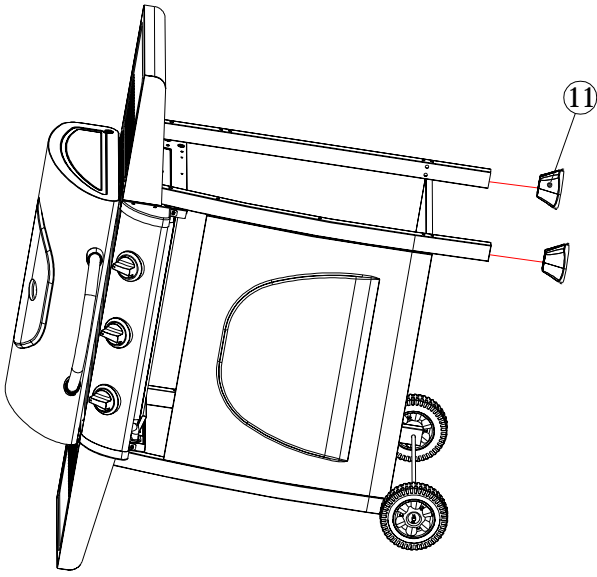
A		4PCS
C		4PCS

8

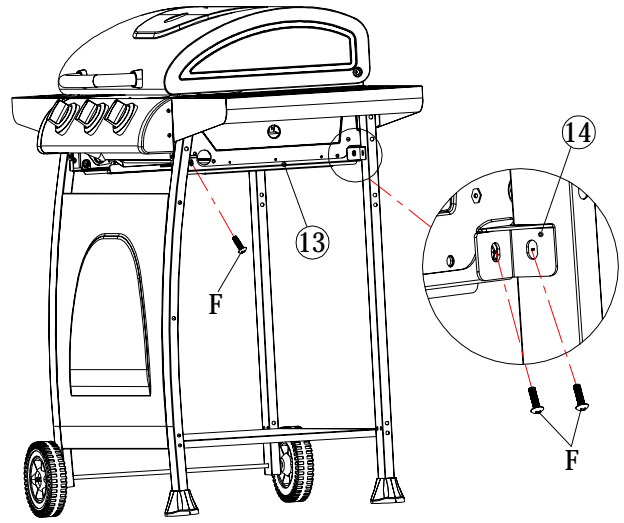


E		2PCS
D		2PCS

9



10

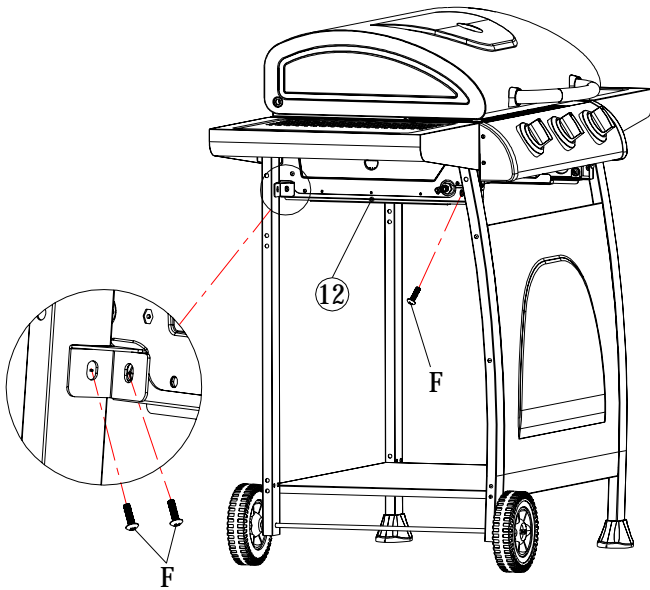


F

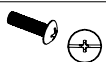


3PCS

11

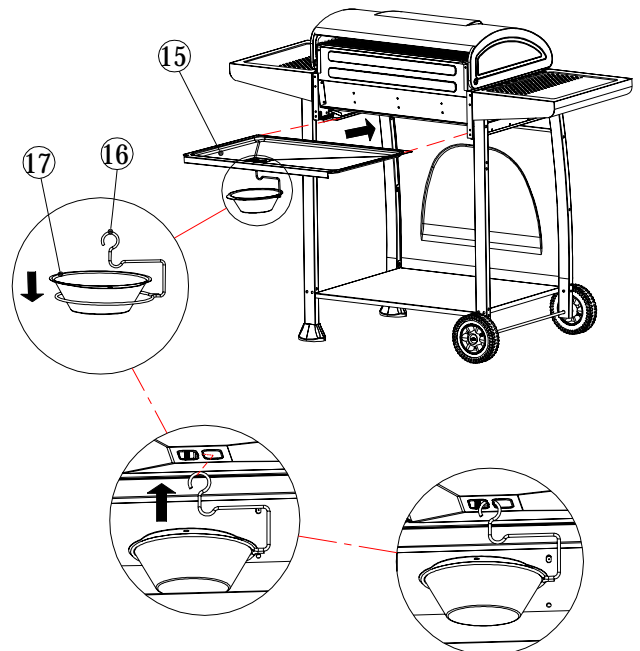


F

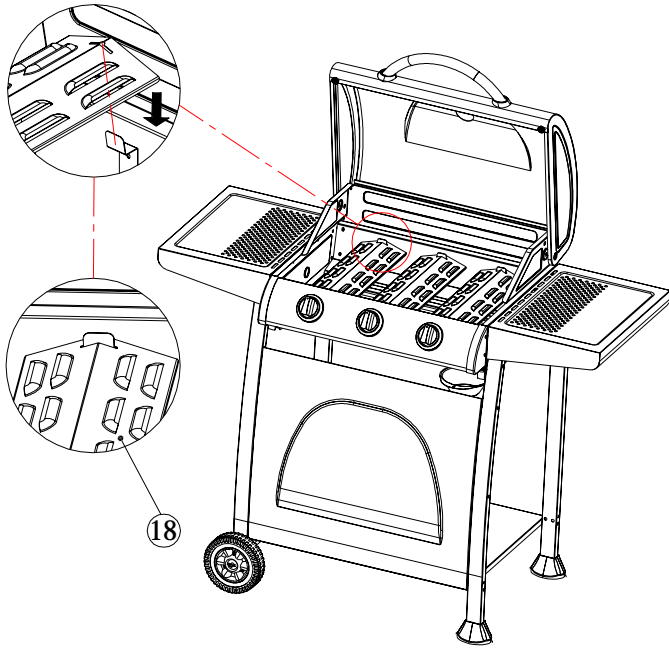


3PCS

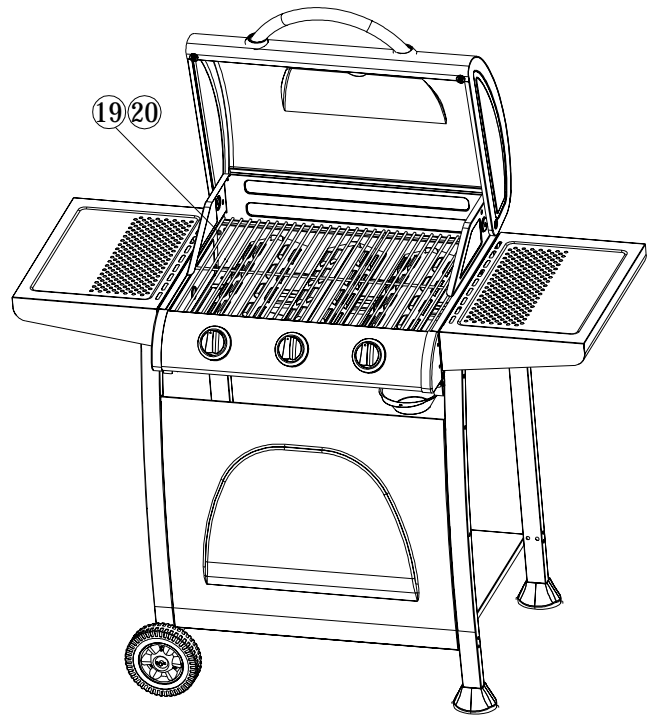
12



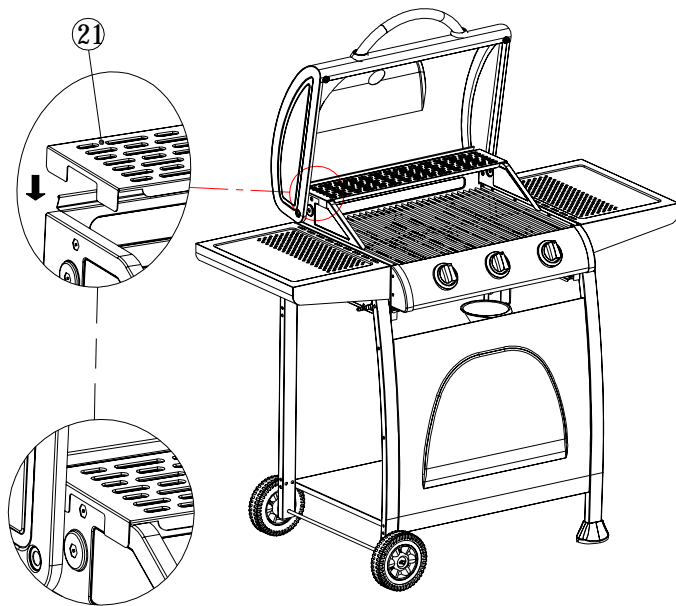
13



14



15



16

